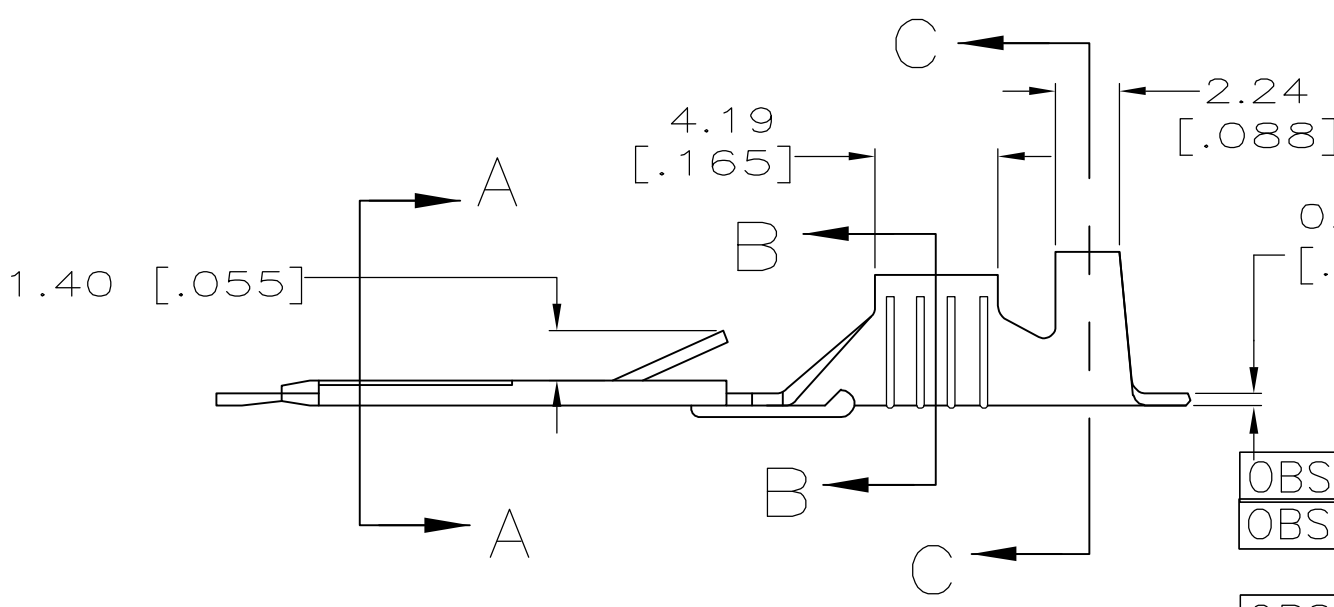
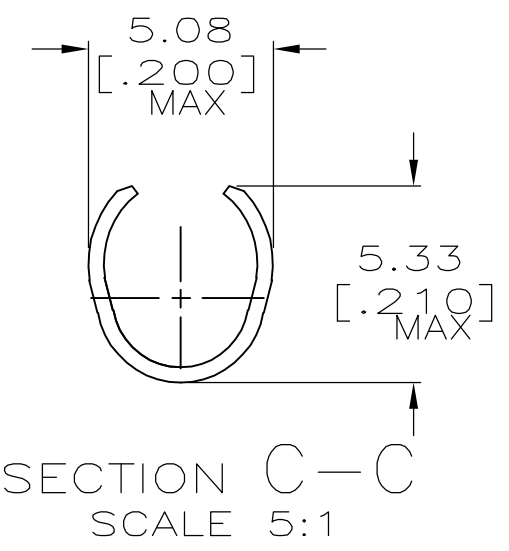
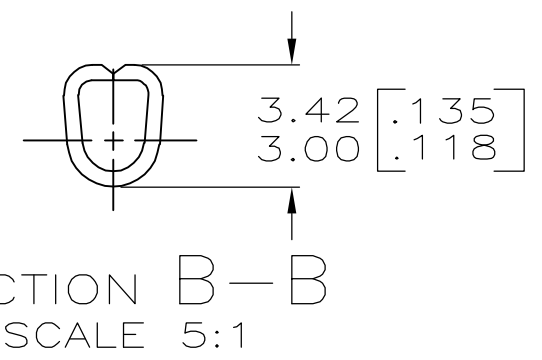
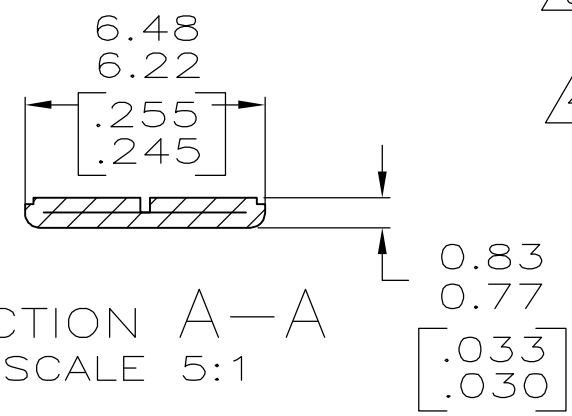
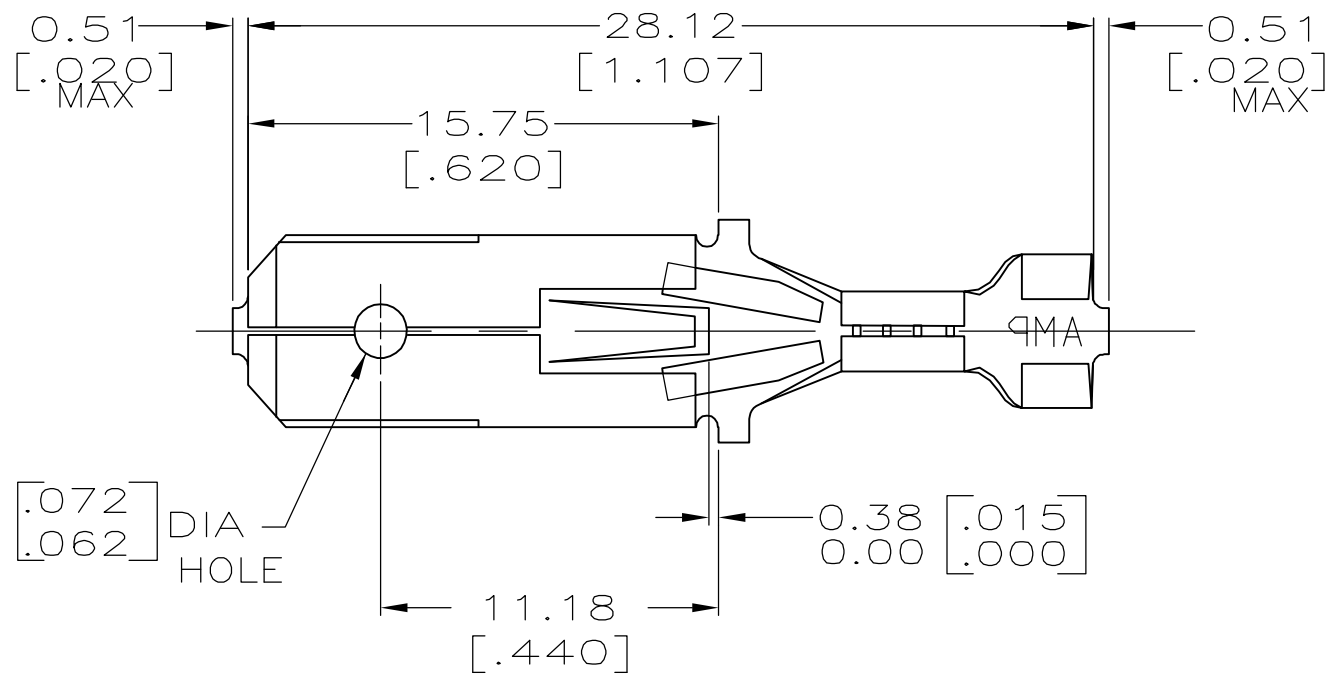


THIS DRAWING IS UNPUBLISHED. RELEASED FOR PUBLICATION
 © COPYRIGHT BY TYCO ELECTRONICS CORPORATION. ALL RIGHTS RESERVED.

LOC	DIST	REVISIONS					
AF	50	P	LTR	DESCRIPTION	DATE	DWN	APVD
			D	REV PER ECR 05-017609	27MAR06	JR	KR

- 1 SUPPLIED IN LOOSE PIECE
- 2 TIN 0.002032 [.000080] MIN.
- 3 SILVER 0.003048 [.000120] MIN.
- 4 FORIEGN PRODUCTION ONLY.



OBS	3.05-3.68	#18-#16 AWG	TIN	2	082 PHOS BRZ	42565-4
OBS	[.120-.145] DIA		SILVER	3		42565-3
OBS			TIN	2	082 BRASS	42565-2
OBS						42565-1
	INSULATION RANGE	WIRE SIZE	FINISH		MATERIAL	PART NO.

THIS DRAWING IS A CONTROLLED DOCUMENT.		DWN	JR RUTH	2/6/95	tyco Electronics		Tyco Electronics Corporation	
DIMENSIONS: INCHES		CHK	MS FEHER	2/6/95			Harrisburg, PA 17105-3608	
TOLERANCES UNLESS OTHERWISE SPECIFIED:		APVD	J GILLESPIE	2/6/95	NAME		TAB, FASTIN-FASTON, 6.35 [.250] SERIES	
0 PLC ± -		PRODUCT SPEC			SIZE		CAGE CODE	DRAWING NO
1 PLC ± -		APPLICATION SPEC			A3		00779	C=42565
2 PLC ± 0.38 [.015]		WEIGHT	-		SCALE		SHEET	REV
3 PLC ± -					4:1		1 OF 1	D
4 PLC ± -								
ANGLES ± -								
FINISH								
SEE TABLE								